

Reactive Torque Measuring Flange D-2209 with Nominal Torque from 1 ... 5 N·m



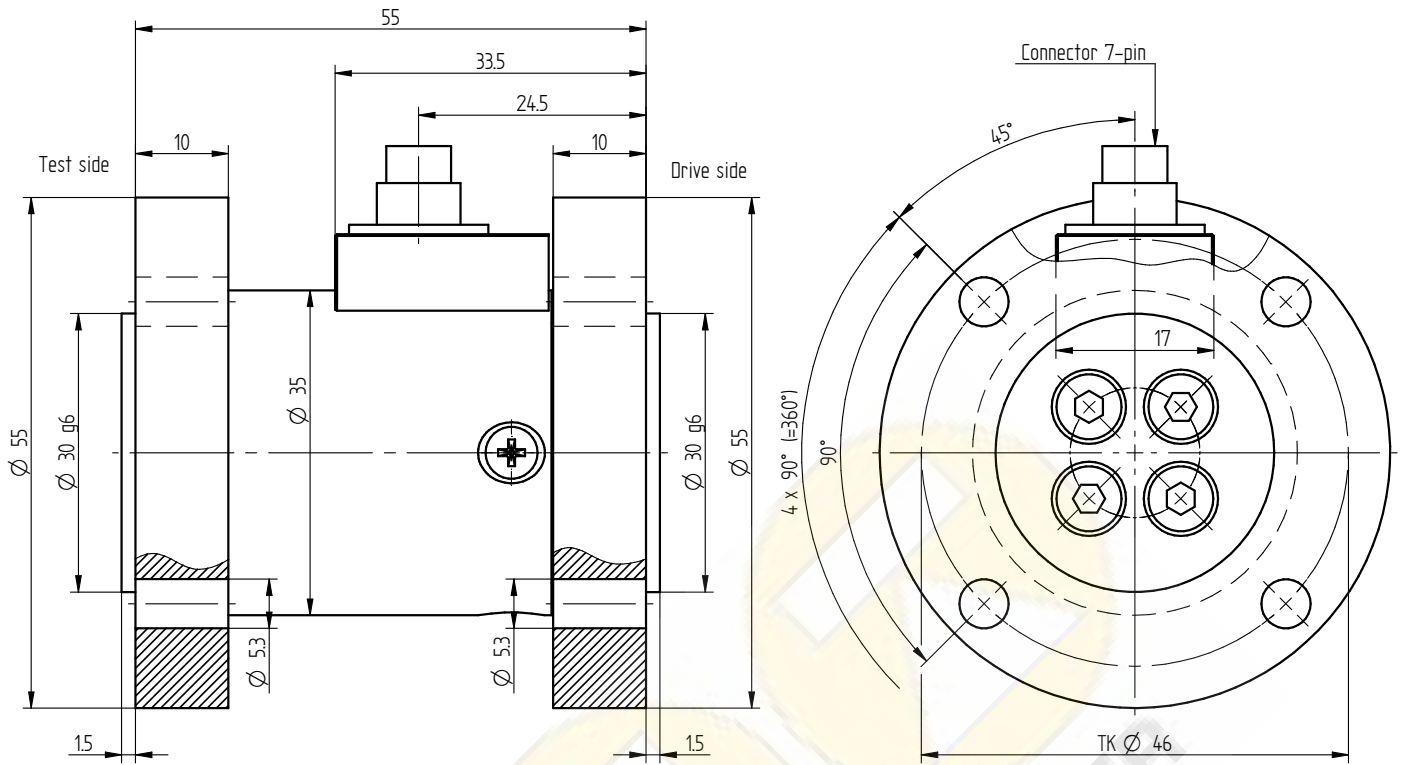
Performance Features

- Torque measuring flange for e.g. measurement of torque reaction or torsion measurement
- Flange-flange-solution
- Fixing shoulder on both sides
- Very short axial length
- High torsional stiffness
- Simple handling and assembly
- Special versions on request

Application

- Process measuring and control technology
- Fully automated machining centres
- Measuring and control devices
- Tool engineering
- Special mechanical engineering

Dimensions of D-2209 in mm



Nominal Torque [N·m]

1/2/5

Weight [kg]

0.2

Connection Assignment

7-pin	D-2209	Series 712
Pin 1	Excitation (-)	
Pin 2	Excitation (+)	
Pin 3	Shield	
Pin 4	Signal (+)	
Pin 5	Signal (-)	
Pin 6	Control signal (option)	
Pin 7	NC	

Technical Data acc. to VDI/VDE/DKD 2639

Torque Measuring Flange D-2209

Nominal torque M_{nom}	N·m	1 / 2 / 5
Accuracy class	% M_{nom}	0.2
Relative repeatability error in unchanged mounting position b'	% M_{nom}	± 0.02
Rated characteristic value C_{nom}	mV/V	$1 \pm 0.2\%$
Bridge resistance R_{Br}	Ω	350
Operating range of excitation voltage	VDC	2 ... 12
Electrical connection		7-pin series 712 ¹
Reference temperature T_{ref}	$^{\circ}C$	23
Rated temperature range	$^{\circ}C$	-5 ... 45
Operating temperature range	$^{\circ}C$	-15 ... 55
Temperature effect on zero signal TK_0	% $M_{nom}/10 K$	± 0.2
Temperature effect on characteristic value TK_C	% $M_{nom}/10 K$	± 0.1
Maximum operating torque M_G (static)	% M_{nom}	150
Torque limit M_{max} (static)	% M_{nom}	200
Breaking torque M_B (static)	% M_{nom}	>300
Permissible oscillation stress when subjected to torque M_{df}	% M_{nom}	70 (peak-to-peak)
Level of protection		IP50

Article-No.	Nominal Torque [N·m]	Springrate [N·m/rad]	Mass Moment of Inertia [kg·m ²]		Axial Force Limit [N]	Lateral Force Limit [N]
			Drive Side	Test Side		
106379	1	247	3.1E-05	2.6E-05	250	14
106380	2	587	3.1E-05	2.6E-05	510	30
102292	5	1799	3.1E-05	2.9E-05	1200	75

Options

Article-No.	Description	
100218	Control signal	100 % M_{nom}
42828	Extended temperature range	-30 $^{\circ}C$... 100 $^{\circ}C$
42829	Extended temperature range	-30 $^{\circ}C$... 120 $^{\circ}C$

Calibrations

Article-No.	Description	
400676	Linearity diagram in accordance to factory standard	25 % steps
400664	Linearity diagram in accordance to factory standard	10% steps
400961	Proprietary calibration acc. to VDI/VDE 2646	3 steps
400700	Proprietary calibration acc. to VDI/VDE 2646	5 steps
400688	Proprietary calibration acc. to VDI/VDE 2646	8 steps
	DAkKS-Calibration/Standard on request	

¹ Female cable connector in scope of delivery at first delivery

Accessories

Electrical Connection

Article-No.	Description
10294	Female cable connector 7-pin series 712
10367	Female angled connector 7-pin series 712
10316	Connection cable, 3 m, with 7-pin female cable connector series 712 and free strands
103348	Connection cable angled, 3 m, with 7-pin female angled connector series 712 and free strands

Amplifiers

Examples of suitable amplifiers for the torque measuring flange D-2209:

LCV	SI-USB	GM 40	GM 80	GM 80-PA
				